

Dahua Thermal Imaging Fixed Network Camera

Quick Start Guide

Version 1.0.1

Dahua Technology CO., LTD

Welcome

Thank you for purchasing our network camera!

This quick start guide is designed to be a reference tool for your system.

Please keep this start guide well for future reference.

Please open the accessory bag to check the items one by one in accordance with the list below.

Contact your local retailer ASAP if something is missing or damaged in the bag.

Important Safeguards and Warnings

1 . Electrical safety

All installation and operation here should conform to your local electrical safety codes.

Please check if the power supply is correct before operating the device.

The power shall conform to the requirement in the SELV (Safety Extra Low Voltage) and the Limited power source is rated 12V DC, DC5V or AC24V in the IEC60950-1. (Power supply requirement is subject to the device label).

Please install easy-to-use device for power off before installing wiring, which is for emergent power off when necessary.

Please prevent the line cord from being trampled or pressed, especially the plug, power socket and the junction from the device.

Note: Do not connect these two power supplying sources to the device at the same time; it may result in device damage!

We assume no liability or responsibility for all the fires or electrical shock caused by improper handling or installation.

We are not liable for any problems caused by unauthorized modification or attempted repair.

2 . Environment

- Avoid aiming the lens at the strong radiation source directly (such as sun, laser, molten steel etc); in case it may cause unrecoverable damage to the thermal imaging detector. What's worse, it may cause severe damage to the detector.
- Avoid oil stain and kinds of chemicals tarnishing and damaging the lens surface.
- Store the device in a cool and dry place where there is ventilation but no intense electromagnetic field.
- Violent vibration or crash is not allowed during transportation and application.
- Please transport, use and store the device within the range of allowed humidity and temperature.
- Please don't keep the device in a place which is wet, dusty, extremely hot, and extremely cold and with strong electromagnetic radiation or unstable lighting.
- Please do not allow water and other liquid falling into the camera in case that the internal components are damaged.
- Please do not allow rain or damp to the indoor device in case fire or lightning may occur.
- Please keep the sound ventilation in case of heat accumulation.
- Please pack the device with standard factory packaging or material with same quality when transporting the device.

Heavy stress, violent vibration or water splash are not allowed during transportation, storage and installation.

3. Operation and Daily Maintenance

Please do not touch the heat dissipation component of the device directly in order to avoid scald.

Please do not dismantle the device; there is no component which can be fixed by users themselves in the machine. It may cause water leakage or bad image for the device due to unprofessional dismantling. It is recommended to use the device with thunder proof device in order to improve thunder proof effect. The grounding holes of the product are recommended to be grounded to further enhance the reliability of the camera.

Do not touch the CCD (CMOS) optic component directly. You can use the blower to clean the dust or dirt on the lens surface. Please use a dry cloth wetted by alcohol to wipe away the dust gently if it is necessary to clean.

Always use the dry soft cloth to clean the device. If there is too much dust, please use the water to dilute the mild detergent first and then use it to clean the device. Finally use the dry cloth to clean the device. Don't use volatile solvent like alcohol, benzene, thinner and etc or strong detergent with abrasiveness, otherwise it will damage the surface coating or reduce the working performance of the device.

Dome cover is an optical device, please don't touch or wipe cover surface directly during installation and use, please refer to the following methods to deal with once dirt is found:

Stained with dirt

Use oil-free soft brush or hair dries to remove it gently.

Stained with grease or fingerprint

Use soft cloth to wipe the water drop or oil gently to make it dry, then use oil-free cotton cloth or paper soaked with alcohol or detergent to wipe from the lens center to outward. It is ok to change the cloth and wipe several times if it is not clean enough.

Warning

Please use the standard accessories provided by manufacturer and make sure the device is installed and fixed by professional engineers.

Please prevent the device surface from the radiation of laser beam when using laser beam device.

Please do not provide two or more power supply modes for the device, otherwise it may cause damage to the device.

Statement

Please refer to the actual product for more details; the manual is just for reference.

The manual will be regularly upgraded according to the product update; the upgraded content will be added in the manual without prior announcement.

Please contact the supplier or customer service if there is any problem occurred when using the device. Please contact the customer service for the latest procedure and supplementary documentation.

There may be deviation between the actual value of some data and the value provided in the manual due to the reasons such as the real environment is not stable and so on. Please refer to the company's final explanation if there is any doubt or dispute.

The company is not liable for any loss caused by the operation which is not followed by the manual.

Note:

Please refer to the disk for more details, check and download corresponding user's manual and tool.

Before installation, please open the package and check all the components are included.

Contact your local retailer ASAP if something is broken in your package.

Accessory Name	Amount
Network Camera Unit	1
Quick Start Guide	1
Installation Accessories Bag	1
CD	1

Table of Contents

1	Device Structure	1
1.1	Device External Cable	1
1.2	Framework and Dimension	2
1.3	Alarm Setup.....	3
2	Device Installation	5
2.1	Install Device.....	5
3	Network Configuration	8
3.1	Modify IP Address	8
3.2	Login WEB Interface	10

1 Device Structure

1.1 Device External Cable

Note:

The following figure of structure is for reference only; it is used to know the function of cable ports. Different models may have different cable structures, please refer to the actual product for exact details.

You can refer to the following figure for device external cable information. See Figure 1-1.

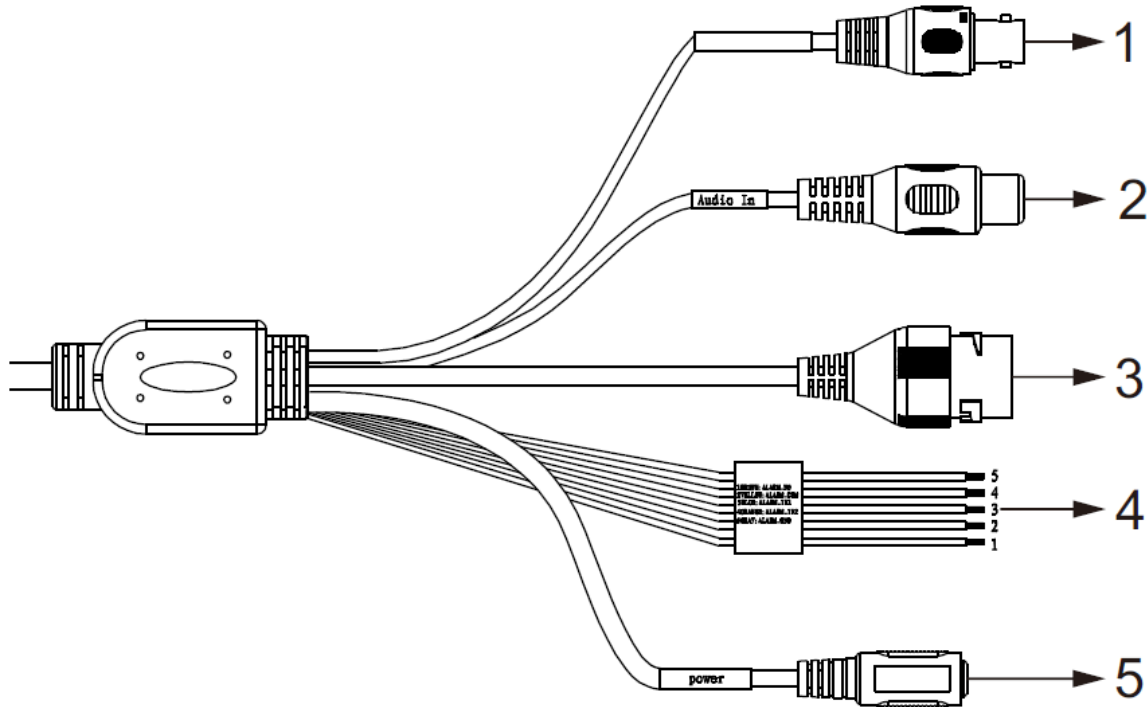


Figure 1-1

Please refer to the following sheet for detailed information.

SN	Port	Port Name	Connector	Function Description
1	VIDEO OUT	Video output port	BNC	Output analog video signal, able to connect TV monitor to view image.
2	AUDIO IN	Audio input port	RCA	Input audio signal, receive the analog audio signal from the pickup and etc.
3	LAN	Network port	Ethernet port	Connect to standard Ethernet cable. Note: Some series products don't support PoE.
4	I/O	I/O port	-	Alarm signal input/output
5	Power	Power input port	-	Power port. Input DC 12V or AC24V. Note: Input AC 24V, default DC5.5 round port to 2 pin converter cable. Actual use in accordance with device label instruction.

Sheet 1-1

Please refer to the follow sheet for detailed pin information.

Port Name	SN	Name	Function Description
I/O Port	1	ALARM_COM	Alarm output public port
	2	ALARM_NO	Alarm output port, output alarm signal to alarm device. NO: normally open alarm output port
	3	ALARM_IN1	Alarm input port 1; It is to receive the on-off signal from the external alarm source.
	4	ALARM_IN2	Alarm input port 2; It is to receive the on-off signal from the external alarm source.
	5	GND	Ground port

Sheet 1-2

Note:

Use the loop back head in the accessories bag and insert it into the network port before the device power on, then power on the device, at this moment BNC outputs HDCVI signal.

1.2 Framework and Dimension

Note:

The following figures are for reference only, which is used to know the device dimension. Please refer to the actual product for exact details.

Please refer to the following two figures for dimension information. The unit is mm. See Figure 1-2 to Figure 1-4.

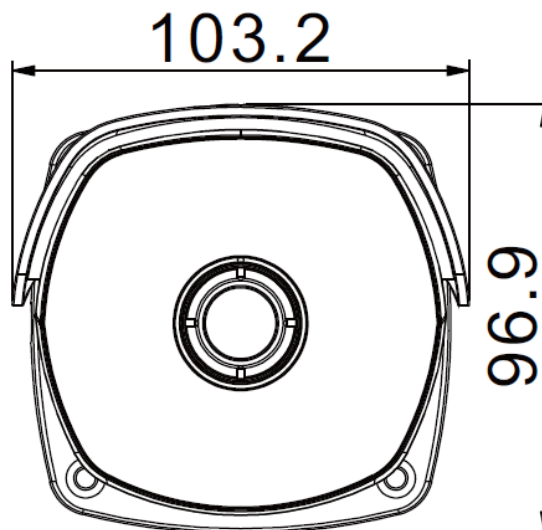


Figure 1-2

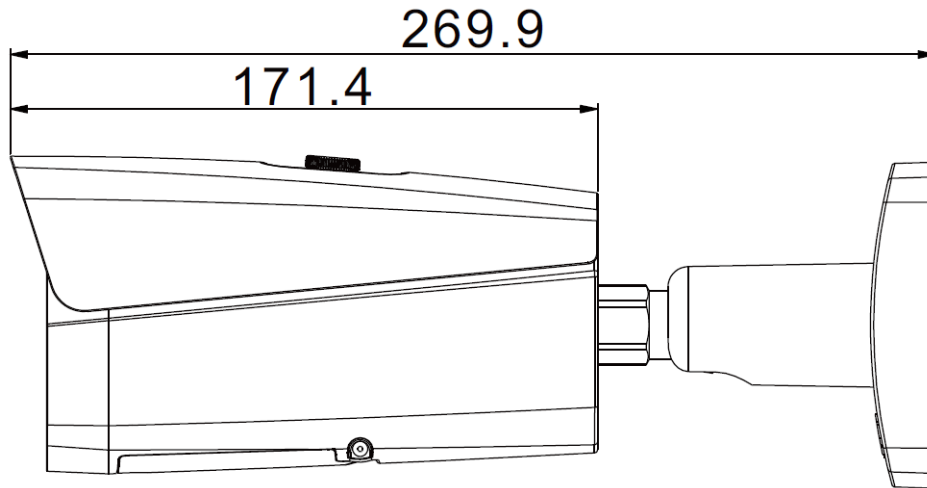


Figure 1-3

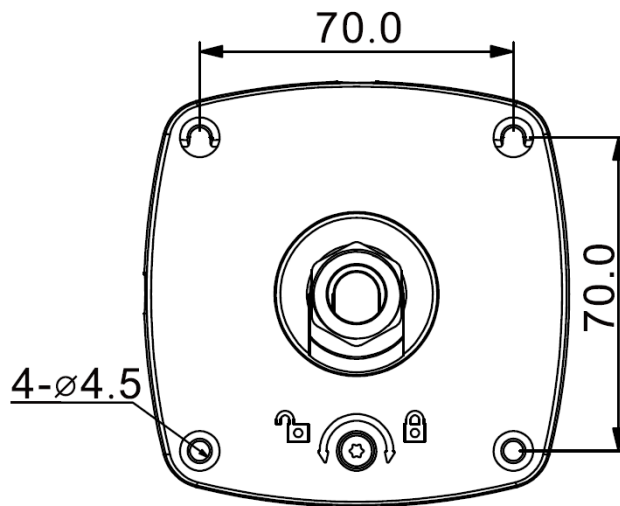


Figure 1-4

1.3 Alarm Setup

Note: Some products do not support alarm function, which cannot be applied to this chapter. The alarm interface is shown as in Figure 1-5.



Figure 1-5 Alarm

Alarm input, output connection description:

- Step 1 Connect alarm input device to the alarm input of I/O cable.
- Step 2 Connect alarm output device to the alarm output of I/O cable, alarm output is collector open circuit output which connects 10K resistor to 3.3V externally.
- Step 3 Open the Web, set alarm input and output correspondingly. Alarm input on WEB corresponds to I/O cable on device. When there is alarm, alarm input device will generate signal of high and low level. Set corresponding NO and NC inputs.
- Step 4 Set the WEB alarm output. The alarm output is for the alarm output port of the device. It is the alarm output port of the I/O cable.

Please refer to the following figure for alarm input information. See Figure 1-6.

Alarm input: When the input signal is idle or grounded, the device can collect the different statuses of the alarm input port. When the input signal is connected to 3.3V or it is idle, the device collects the logic "1". When the input signal is grounded, the device collects the logic "0".

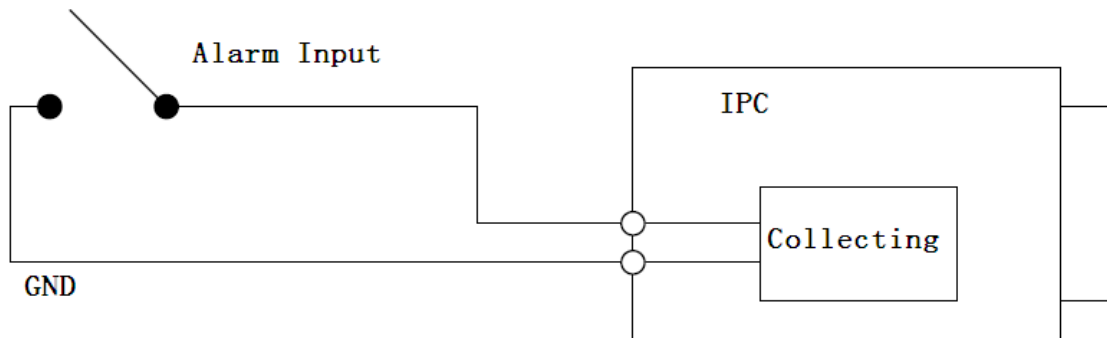


Figure 1-6

Please refer to the following figure for alarm output information. See Figure 1-7.

When alarm output is OC, it needs to increase pull-up resistance externally to work normally; output signal is high and low level. After external pull-up resistance is increased, the default of output signal is high level, and it switches to low level when there is alarm output. The working current of alarm output port is recommended as $\leq 10\text{mA}$. The max current which is used to drive external circuit is 80mA, it is advised to add a relay if it is beyond the value.

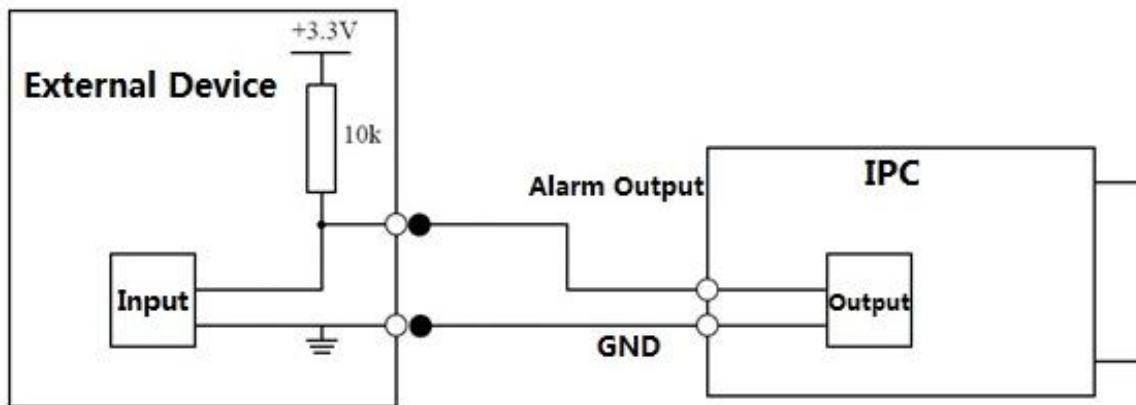


Figure 1-7

2 Device Installation

2.1 Install Device

The device can adopt wall mount installation and pendant installation

Please follow the steps listed below to install the device. Please refer to Figure 2-1 for reference.

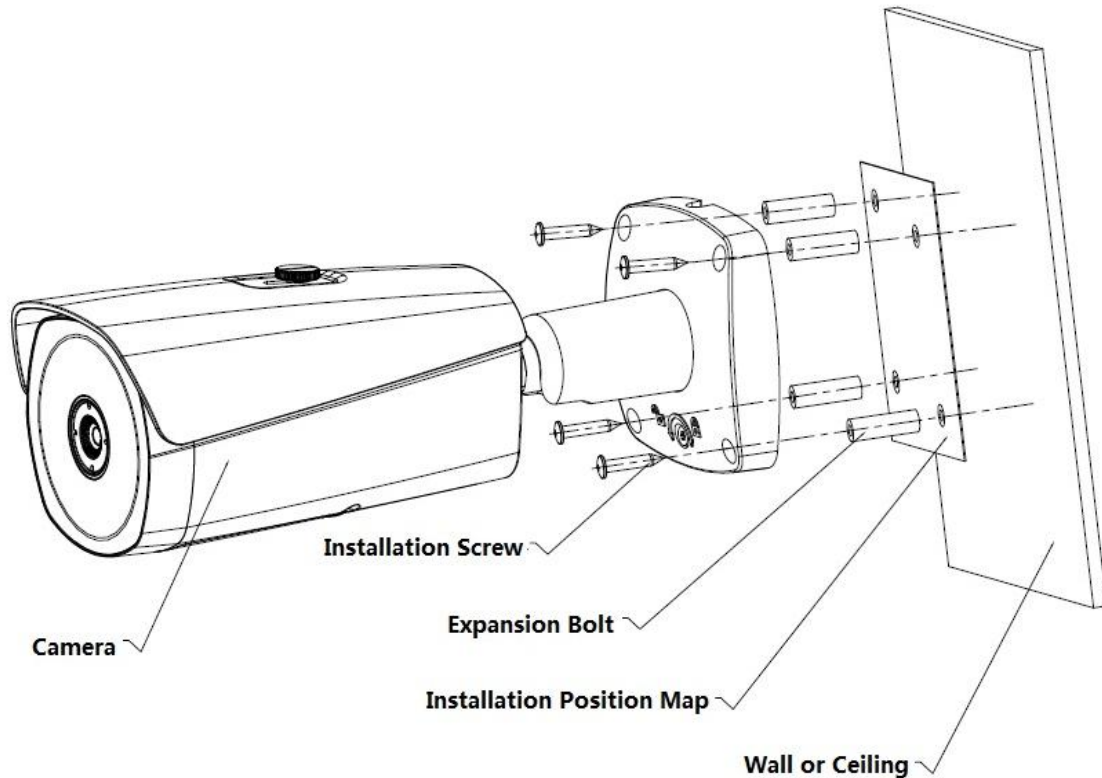


Figure 2-1

Warning:

The installation surface must min sustain the 3X weight of camera to prevent it from falling. Please avoid the device, part, tool and etc falling during installation in case it will damage the device, lack parts and injure passers-by and other objects.

Step 1

Select a smooth installation surface (wall or ceiling and etc), and make sure the installation surface can sustain the weight of the device, then stick the installation position map on the proper location according to the requirements.

Step 2

Dig holes according to the four installation holes marked on the installation position map, pay attention that the pore size and depth have to be matched with expansion bolts, the deviation of pore size is not allowed.

Step 3

Open the accessories bag and take out the expansion screws, then insert the expansion screw into the hole you just dug with a hammer, keep the outer end and the installation surface parallel.

Step 4

Open the accessories bag and take out the installation screws. Aim four installation holes on the camera bracket at the four installation holes on the expansion screws, make the installation screws go through the bracket holes and insert them into the installation holes of the expansion screws, tighten the four installation screws and fix the device on the installation surface firmly (wall or ceiling);

Step 5

Plug external cable of the device properly according to the requirements; please notice that the power adapter should be consistent with the camera power.

Attention:

All the external cable connectors need waterproof processing if they are exposed to outdoor environment.

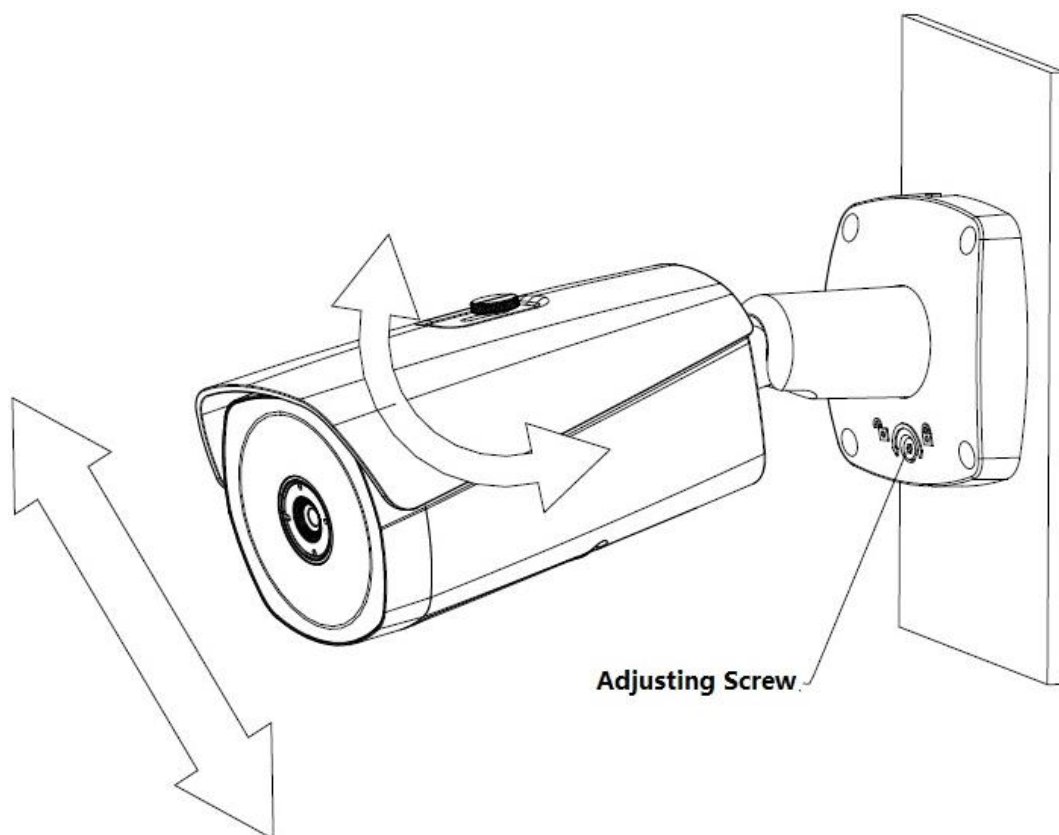


Figure 2-2

Attention:

Please be sure to loosen the adjusting screw when adjusting the device position and angle, tighten the adjusting screw after adjustment.

Please do not rotate the camera body over 360° when the camera body and the installation chassis form an angle of 90° and the adjusting screw is fixed firmly.

Step 6

Open the accessories bag and take out the inner hex wrench to loosen the adjusting screw, adjust the front-end device in all possible directions (up and down, left and right) and make sure rotation adjustment is less than 360° according to the monitoring direction; Use inner hex



wrench to tighten the adjusting screw and make sure the bracket can't be rotated after meeting the monitoring requirements.

Step 7

You can move the sunshade cover back and forth and adjust it according to the application scene; you need to tighten the fastening screw on the sunshade cover after adjustment.

3 Network Configuration

The IP address of all the cameras is the same when leaving factory (default IP192.168.1.108), in order to make the camera get access to the network smoothly, please plan the useable IP segment reasonably according to the actual network environment.

3.1 Modify IP Address

IP address can be acquired and modified through quick configuration tool for the cameras which are accessed via wired network, it needs to connect wired network to configure wireless parameters before using wireless network cameras. In this chapter, it will introduce the approach of modifying IP address via “Quick Configuration Tool”; also you can modify the IP address in the network parameters of the WEB interface, please refer to the document in the disk << WEB Operation Manual>> for more details.

Note:

Currently the quick configuration tool only supports the cameras which apply to the same network segment with computer IP address.

Step 1 Double click the “ConfigTools.exe” and open the quick configuration tool.

Step 2 Double click the device to be configured, the system will pop out the “Login” dialog box.

Enter the IP address, user name, password and port number of the camera, and click “Confirm”.

Note:

The default user name and password are admin and admin respectively, the default of port is 37777. See Figure 3-1 for more details.

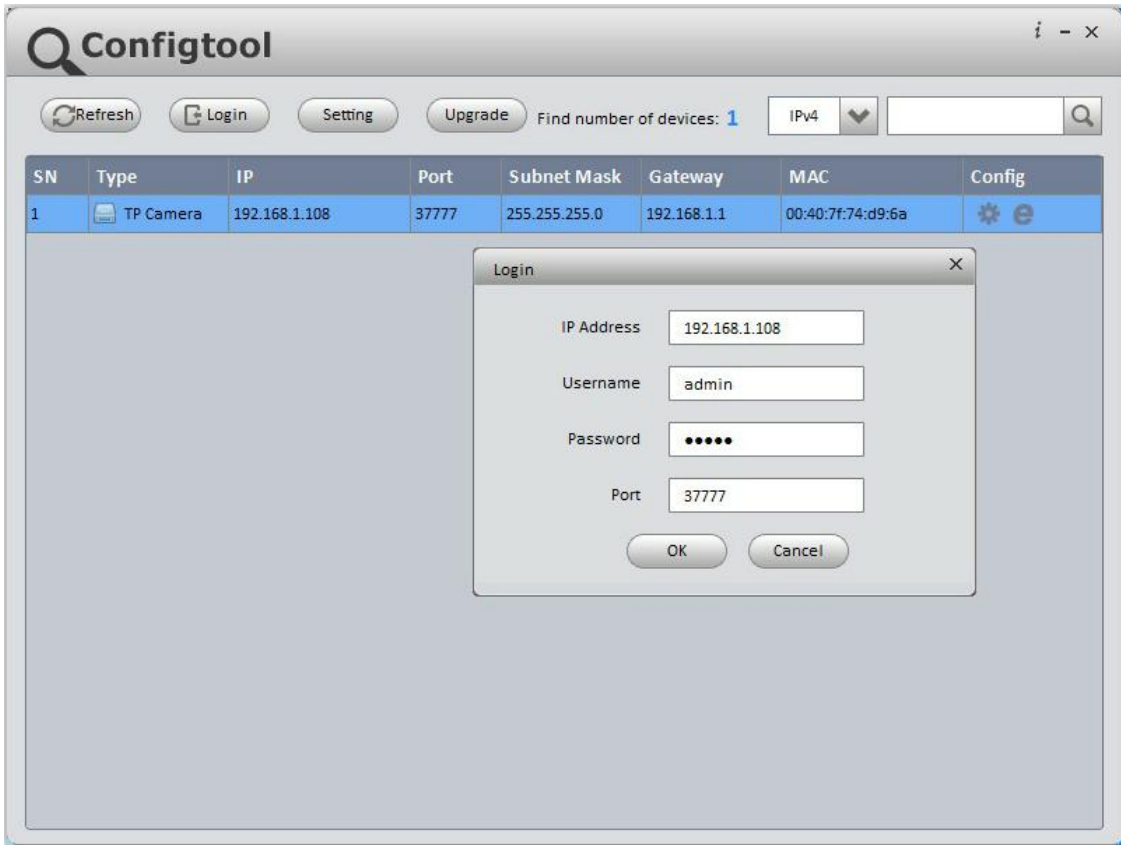


Figure 3-1

Step 3 Modify the camera IP address on the “Net” interface, click “Save” to finish modification. See Figure 3-2 for more details.

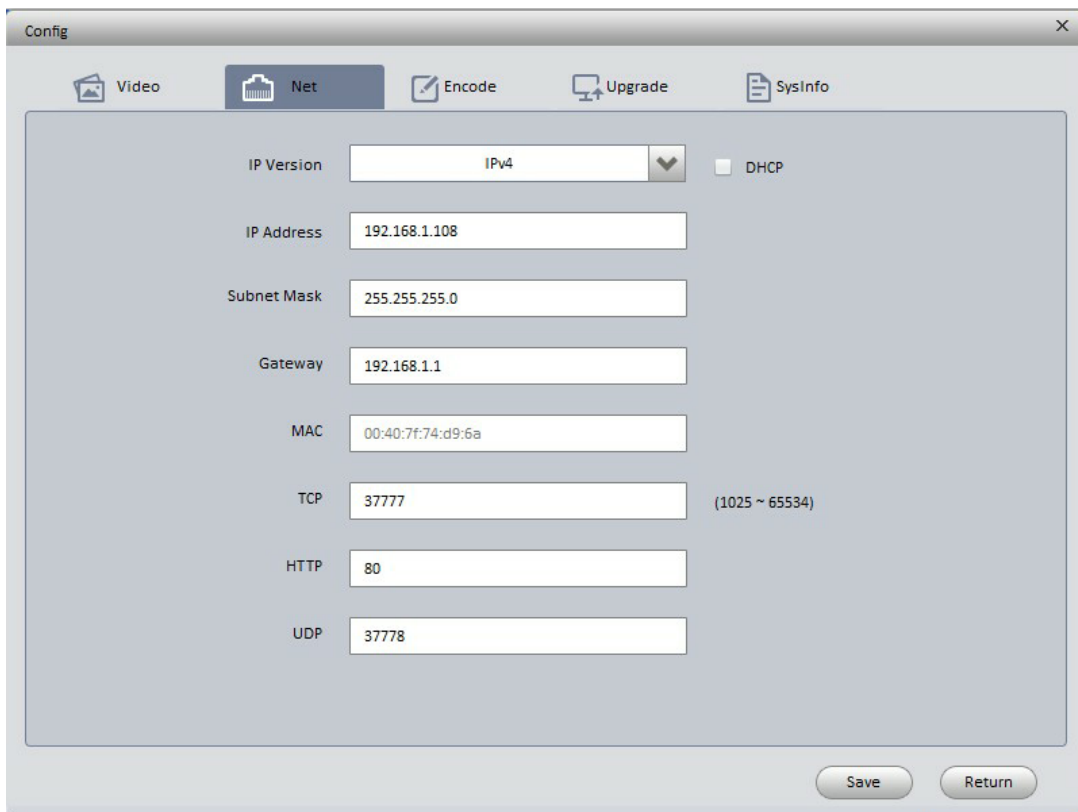


Figure 3-2

3.2 Login WEB Interface

Note:

Different devices may have different WEB interfaces, the figures below are just for reference, please refer to the document <<WEB Operation Manual>> in the disk and the actual interface for more details

Step 1 Open IE and input the modified camera IP address in the address bar.

Step 2 The login interface is shown below, please input your user name and password (Default user name is admin and password is admin respectively), click "login".

See Figure 3-3 for more details.



Figure 3-3

Step 3 Install controls according to the system prompt; see Figure 3-4 for the WEB main interface. Please modify the administrator password as soon as possible after you successfully logged in.

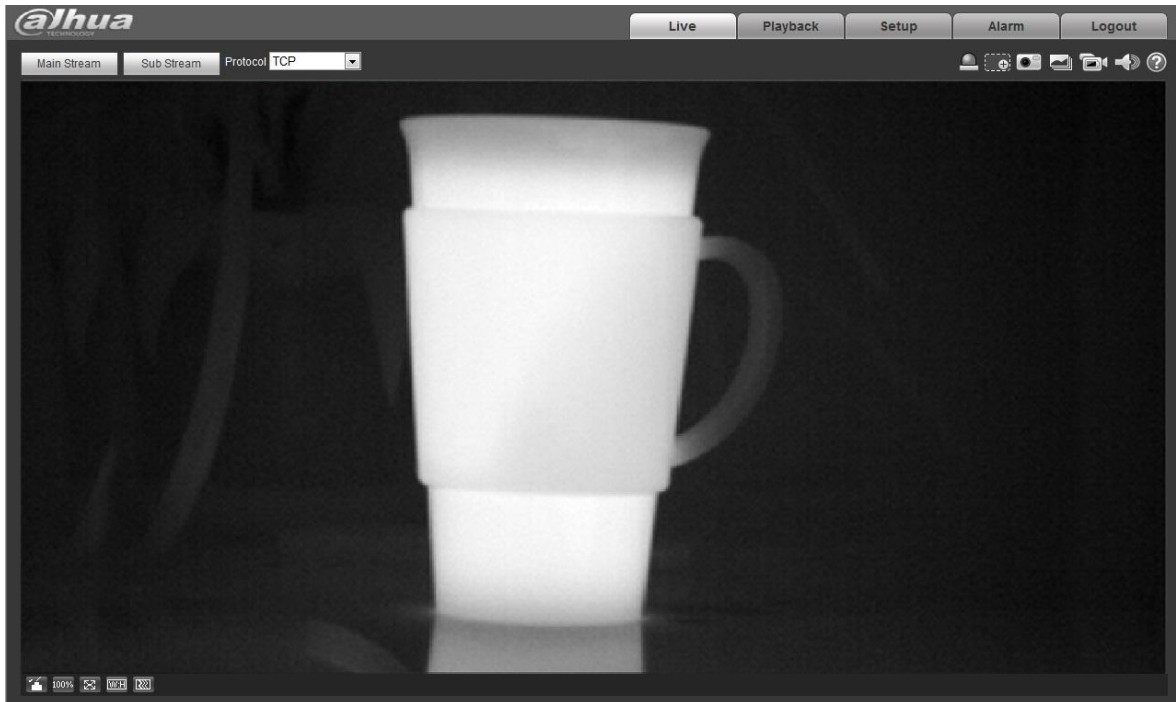


Figure 3-4

Note:

- This quick start guide is for reference only. Slight difference may be found in user interface.
- All the designs and software here are subject to change without prior written notice.
- If there is any uncertainty or controversy, please refer to the final explanation of us.
- Please visit our website or contact your local service engineer for more information.



Dahua Technology Co., Ltd

Address: No.1199 Bin'an Road, Binjiang District, Hangzhou, PRC.

Postcode: 310053

Tel: +86-571-87688883

Fax: +86-571-87688815

Email: overseas@dahuatech.com

Website: www.dahuatech.com